

Restricted Substances POC Summary

Ensuring Compliance and Reducing Risk

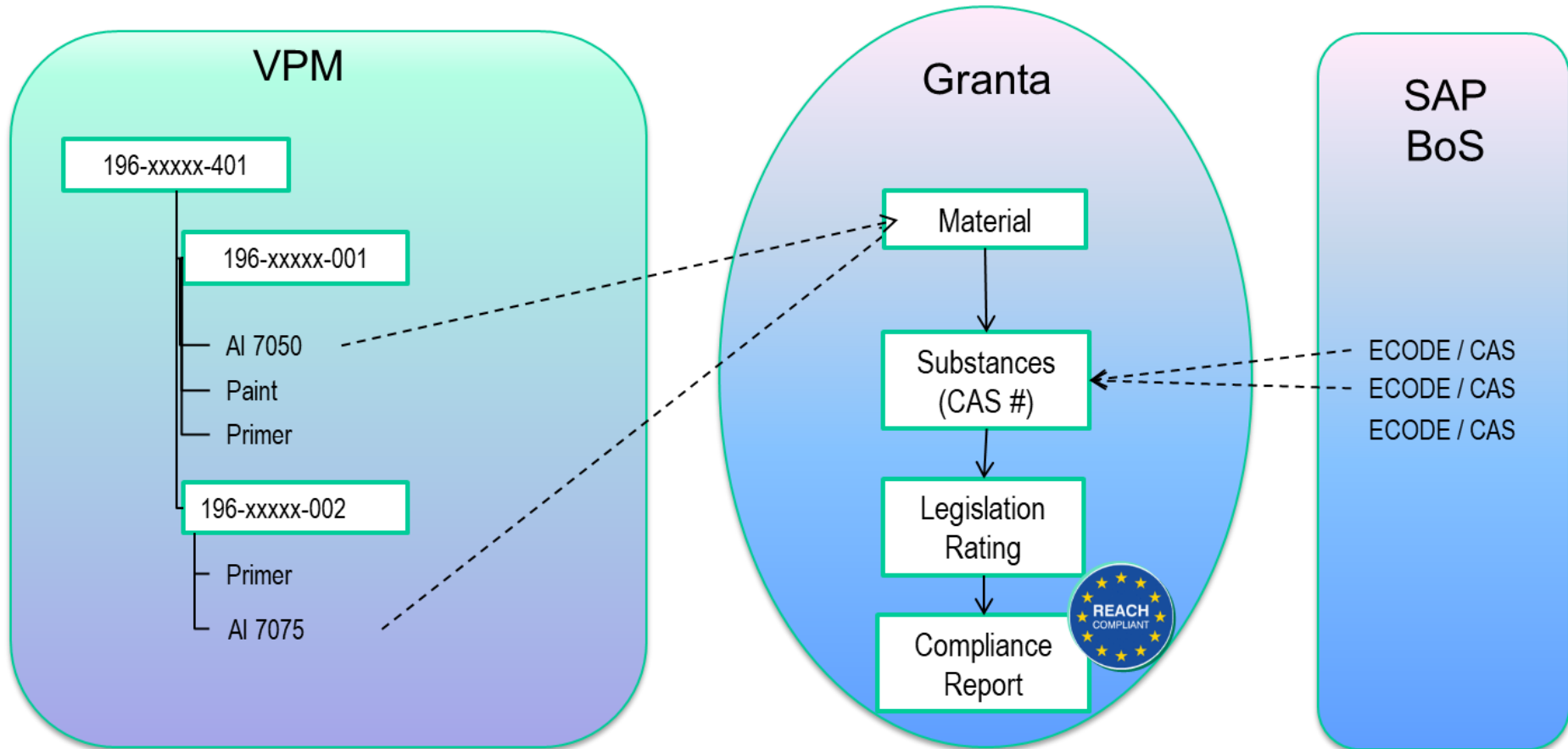


GRANTA
MATERIAL INTELLIGENCE

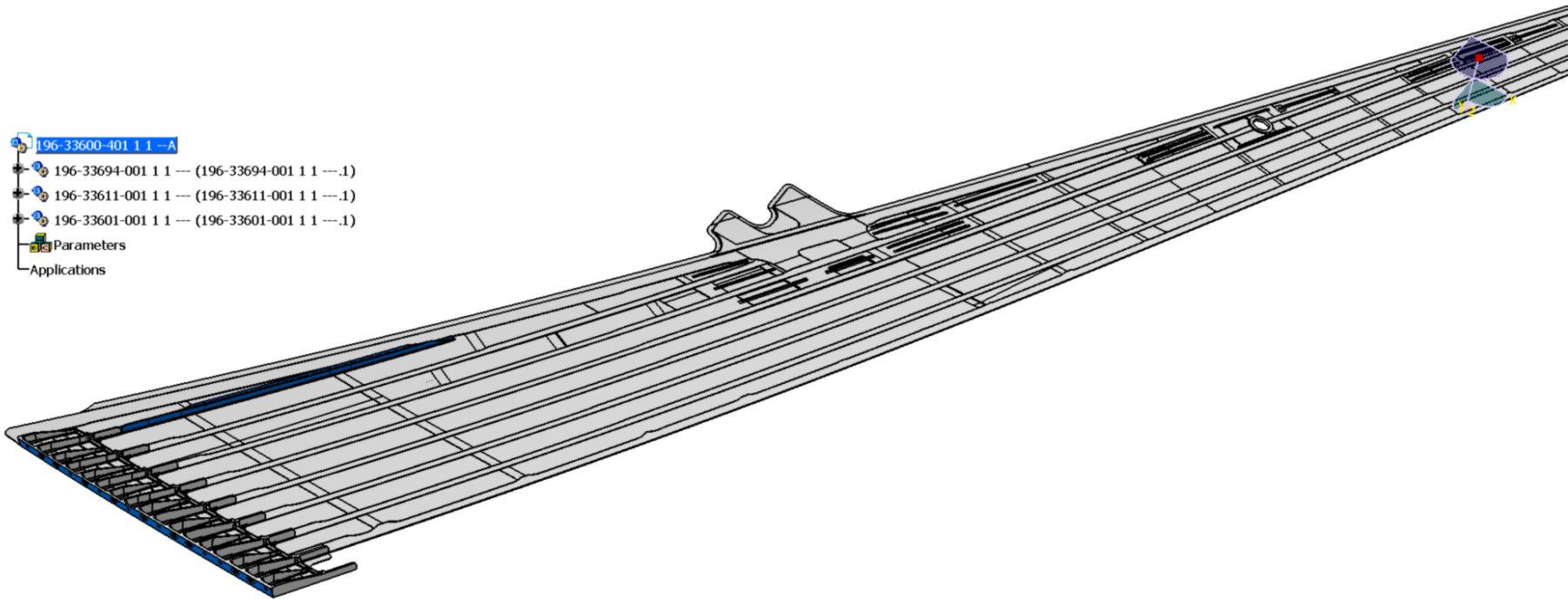
www.grantadesign.com

Product Structure Detail

Bill of Material(BOM) → Assembly → Part → ECODE → Material → Substances → Substance (CAS#) → Legislation Rating

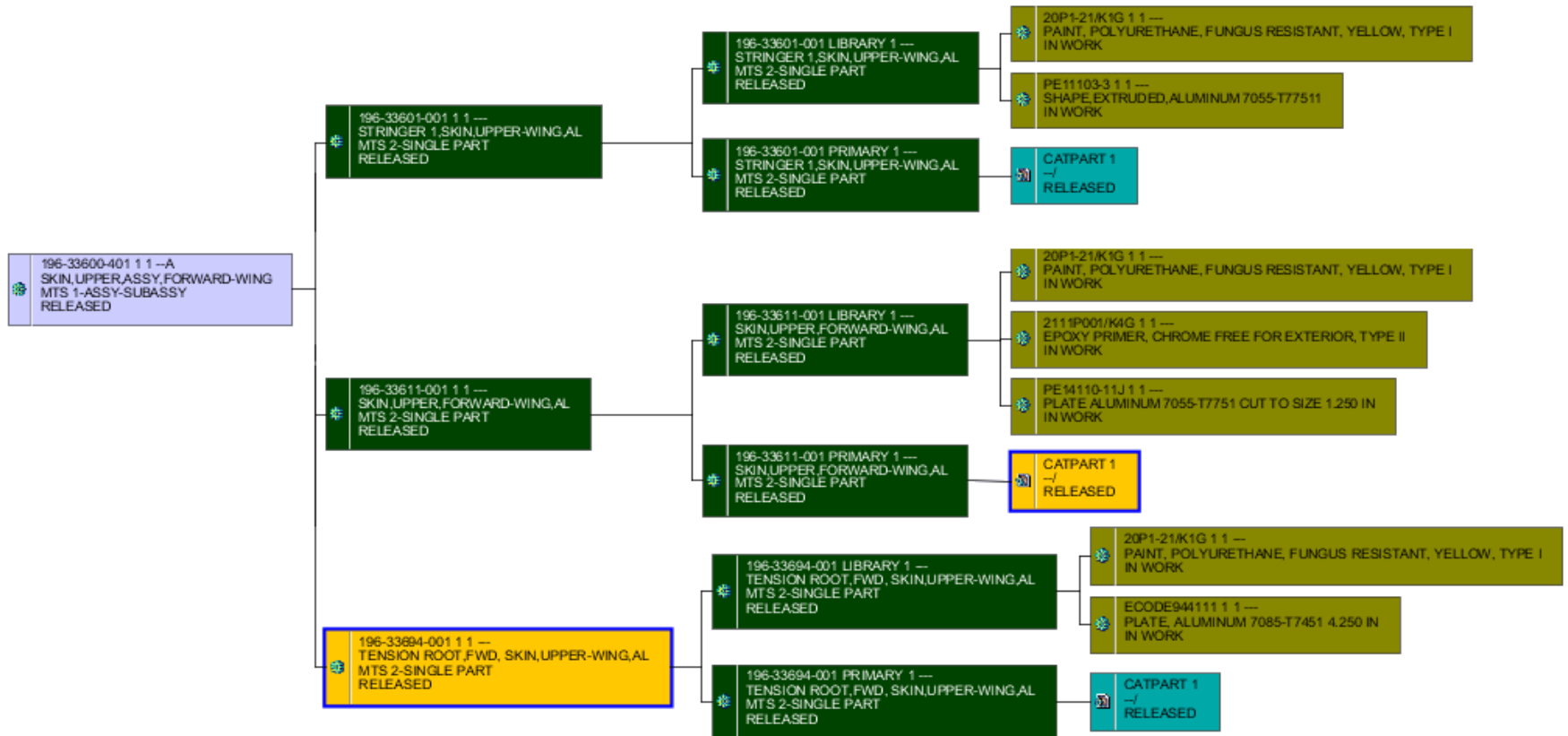


PoC Assembly

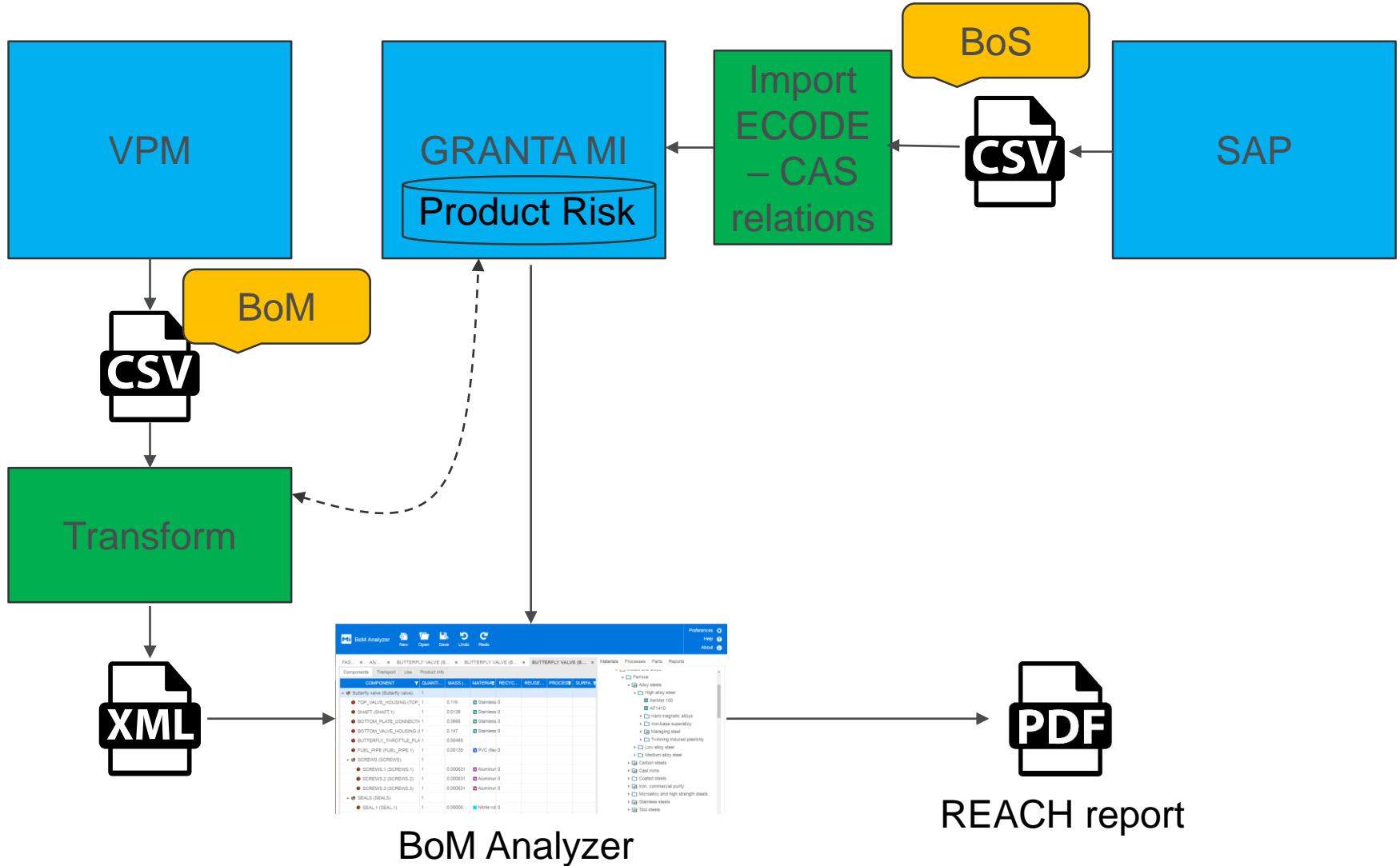


Parent	Child	Description
196-33600-401		Upper Skin Assy
	196-33611-001	Upper Skin panel
	196-33601-001	Stringer
	196-33694-001	Tension Root

BoM Representation in VPM



Solution Architecture (PoC)



After POC - Phase 1

- VPM integration
 - Read BoM and transform into format that BoM Analyzer can use
 - Production level
 - Scale (performance, capacity)
 - Robust (error handling – bad data)
- SAP integration
 - SAP
 - Create data export of BoS
 - GRANTA
 - Consume data export
 - Populate in-house materials table and link to restricted substances
- Generate compliance reports
 - Create custom report(s)

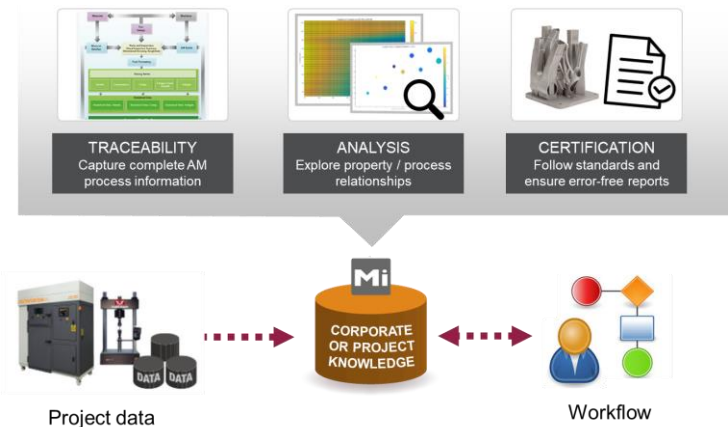
Next Steps

- Restricted Substances Deployment Phases 2+

- Phases / Timeline

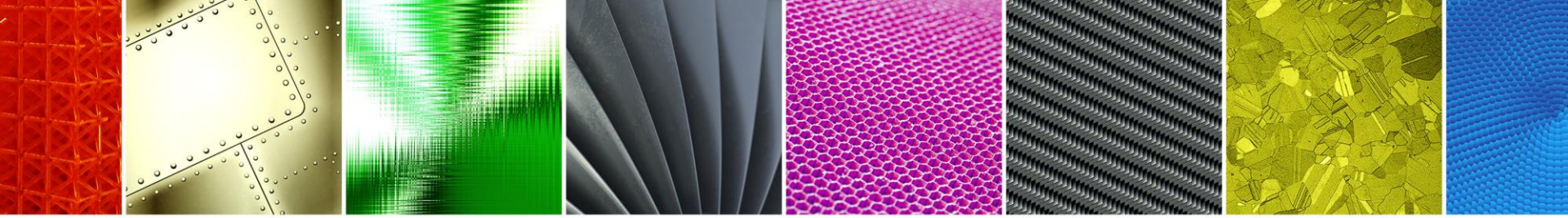
- Deliverables

- Consider in-house SPECs
- Consider bought articles
 - Support IPC1754
 - Integration with suppliers



- CAD/CAE/PLM integrations POC

- Integration of materials across CAD/CAE/PLM



Questions?



GRANTA
MATERIAL INTELLIGENCE

www.grantadesign.com